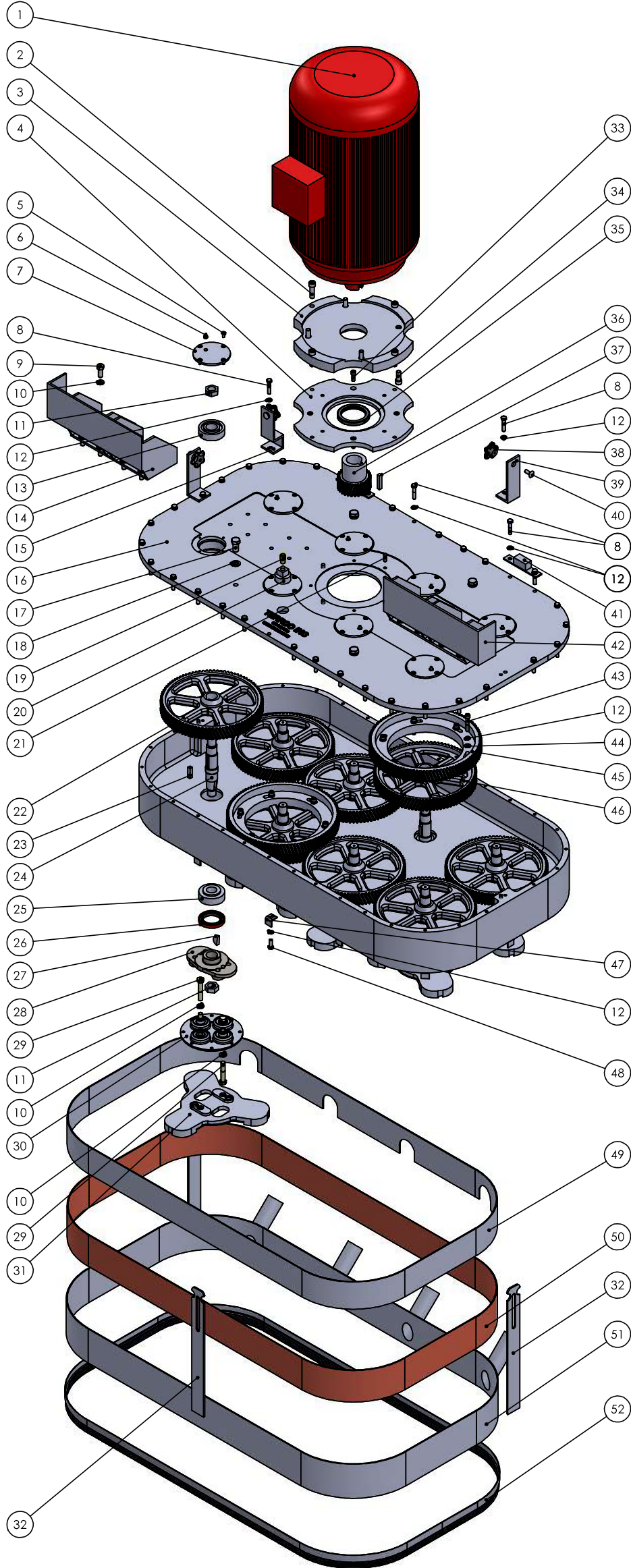




Model 6200 Parts List

(Gear Case)



ITEM NO.	PART NUMBER	DESCRIPTION	QTY.
1	FE 147B	40HP,3PH,1770RPM,460 VOLT MOTOR	1
2	T3048	1/2-13 X 1-3/4" LG SOCKET HEAD CAPSCREW	4
3	FE 130-6200-MTR	MOTOR MOUNTING PLATE - MOTOR	1
4	FE 130-CASE	MOTOR MOUNTING PLATE - CASE	1
5	T3011	1/4-28 X 5/8 LG SOCKET FLAT HEAD	32
6	000170	GREASE FITTING 1/8" NPT STRAIGHT	8
7	FE 027	BEARING CAP	8
8	T1097	3/8-16 X 1-3/4 LG HEX HEAD CAPSCREW	36
9	Z02-1419	1/2-13 X 1-1/4 LG HEX HEAD CAPSCREW	16
10	T1012	1/2" LOCK WASHER MEDIUM	48
11	T2008	STOP NUT 1"-14 JAM	20
12	T1022	3/8 MEDIUM LOCKWASHER	61
13	SM 043, SM 037	UPPER BEARING CONE & CUP	8
14	FE 261L	LOWER WEIGHT BASKET - L	1
15	FE 270	FRONT GUARD BRACKET	1
16	FE 252	GEAR CASE COVER	1
17	T2139	5/8-11 X 1-1/4 LG HEX HEAD CAPSCREW	4
18	T2140	LOCKWASHER	4
19	DS 184	BREATHER CAP	1
20	X-100	1.5" NPT PIPE PLUG,SQUARE HEAD,GALVANIZED	1
21	FD 040	DOWEL PIN 3/8 X 1" LG	6
22	SM 015L	DRIVEN GEAR - L	4
23	SM 072	HELICAL GEAR KEY	8
24	SM 016	HELICAL GEAR SHAFT	8
25	SM 036, SM 037	LOWER BEARING CONE & CUP	8
26	SM 169	GEAR SHAFT GREASE SEAL	8
27	T2012	WOODRUFF KEY	8
28	SM 500	DRIVING SPIDER	8
29	SM 171	MORFLEX COUPLING BOLT,ADV. J27B	32
30	SM 088	COUPLING	8
31	SM 491A	SPEED SHIFT PLATE - 6200	8
	SM 192B	PLUG STONE HOLDER - 6200	
	SM 492	UNIVERSAL TOOL PLATE	
32	FE 029	SPLASH GUARD ADJUSTABLE STRAP	3
33	T2111	SOCKET HEAD CAPSCREW 3/8-16 X 1" LG	4
34	T2165	5/8-11 X 1-1/4 LG SOCKET HEAD CAPSCREW	4
35	FE 255	SEAL FOR FE 254 PINION,2.875" ID	1
36	FE 254	PINION,30HP ELECTRIC MOTOR,1.875"	1
37	FE 114	MOTOR KEY	1
38	SM 537	HAND KNOB	3
39	FE 271	SIDE GUARD BRACKET	2
40	T2029	CARRIAGE BOLT 3/8-16 X 1" LG	3
41	FE 333	TILT STOP - 6200	2
42	FE 261R	LOWER WEIGHT BASKET - R	1
43	T2099	3/8-16 X 2" LG SOCKET HEAD CAPSCREW	12
44	T2148	FLAT WASHER	12
45	FE 125B	DRIVE GEAR	2
46	FE 004B	DRIVEN GEAR - R	4
47	SM 028	DRIVING SPIDER GUARD BRACKET	13
48	T2013	3/8-16 X 1" LG HEX HEAD CAPSCREW	13
49	FE 259	STATIONARY GUARD	1
50	FE 262	DUST SEAL - 6200	1
51	FE 260	ADJUSTABLE SLASH GUARD	1
52	LW 78(6200)	BRUSH STRIP - 6200	1



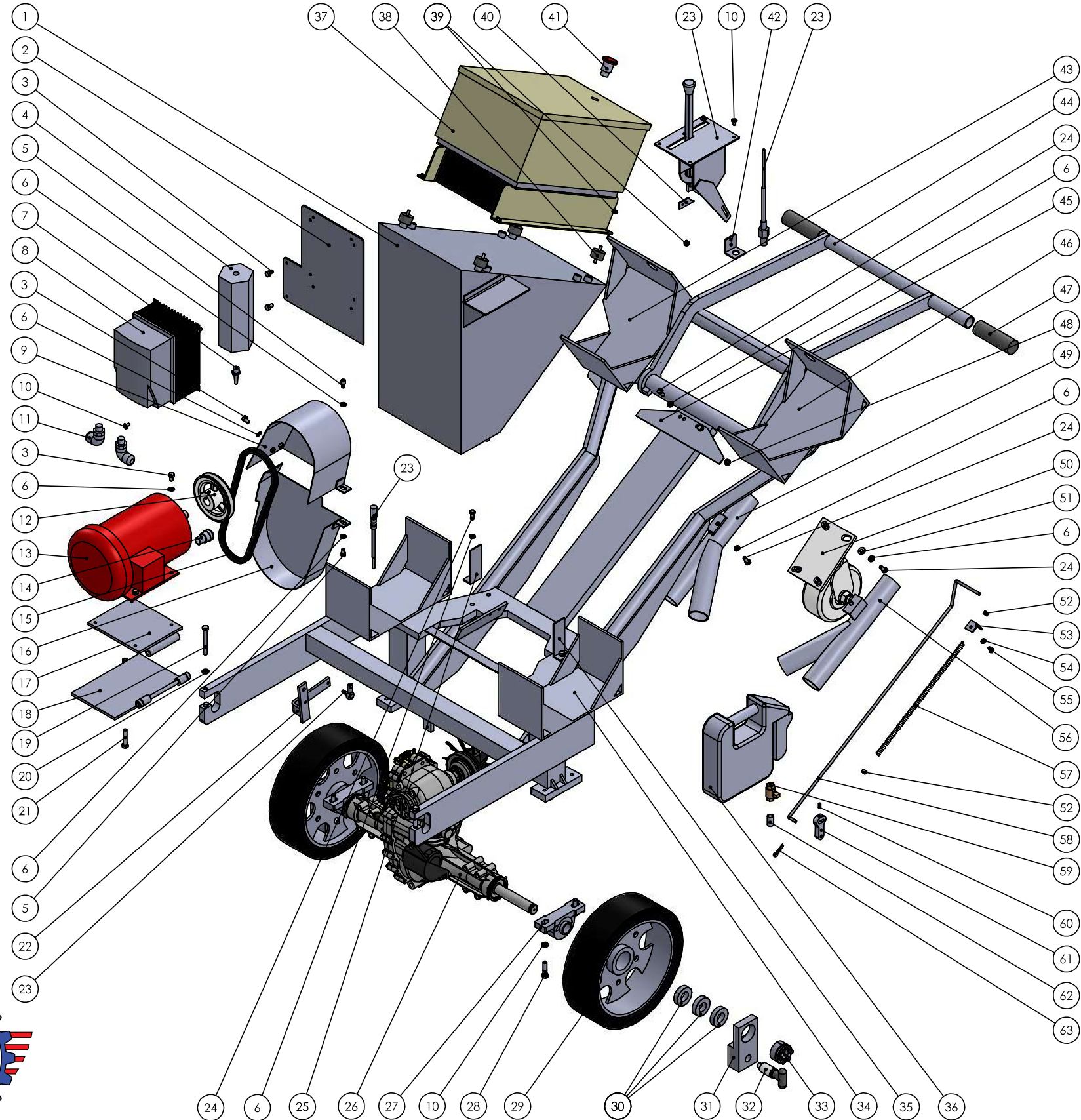
Terrco® Inc.
 222 1st Avenue NW • Watertown, SD 57201
 Phone: (605) 882-3888 • Fax: (605) 882-0778
 Website: www.terrco.com • Email: info@terrco.com





Model 6200 Parts List

(Handlebar Assembly)



ITEM NO.	PART NUMBER	DESCRIPTION	QTY.
1	FE 342	WATER TANK- SELF PROPELLED	1
2	FE 345	WATER TANK BRACE- STAINLESS STEEL	1
3	T1033	5/16-18 X 1/2 HEX HEAD CAPSCREW	4
4	FE 289	EXPANSION TANK	1
5	T1111	5/16-18 X 1/2" SOCKET HEAD CAPSCREW	2
6	T1007	LOCK WASHER	17
7	T3047	HOSE BARB, STRAIGHT 1/4 NPT X 3/8	1
8	FE 351	2 HP VECTOR DRIVE 460 VOLT 3 PHASE	1
9	FE 474	UPPER BELT GUARD - SELF PROPELLED HANDLE	1
10	T2161	1/4-20X 1/2 LG SLOTTED TRUSS HEAD	6
11	X-80	90 DEGREE CORD CONNECTOR	3
12	FE 293	PULLEY 5" DIA, 7/8 BORE AND BUSHING	1
13	FE 292	MOTOR 2 HP, 3 PHASE	1
14	X-81	STRAIGHT CORD CONNECTOR	1
15	FE 358	V-BELT, 32"	1
16	FE 475	LOWER BELT GUARD - SELF PROPELLED HANDLE	1
17	FE 477	2HP MOTOR MOUNT - SELF PROPELLED	1
18	FE 345	STARTER MOUNT-SELF PROPELLED	1
19	T3053	3/8-16 X 3" LG HEX HEAD CAPSCREW	2
20	T1022	3/8 MEDIUM LOCKWASHER	6
21	Z02-1360	3/8-16 X 1-3/4 LG TAP BOLT	1
22	FE 476	CONTROL BRACKET ASSEMBLY - SELF PROPELLED	1
23	FE 307	CONTROL ASSEMBLY, TRANSAXLE	1
24	T2130	5/16-18 X 3/4" LG HEX HEAD CAPSCREW	9
25	FE 349R	SP WATER TANK BRACKET - STAINLESS STEEL - L	1
26	FE 357	TRANSAXLE 1" AXLE G7 SERIES	1
27	FE 354	1" PILLOW BLOCK	2
28	T2004	3/8-16 X 1-1/2 LG HEX HEAD CAPSCREW	4
29	FE 352	TIRE, 3100 & 6200 SELF PROPELLED	2
30	FE 356	BEARING	6
31	FE 353	WHEEL ENGAGE BLOCK	2
32	FE 291	PULL PIN, 6200 WHEEL	2
33	FE 355	1" KEYLESS LOCKING HUB	2
34	FE 256	LOWER WEIGHT BASKET	2
35	FE 349L	SP WATER TANK BRACKET - STAINLESS STEEL - R	1
36	FE 246	POCKET WEIGHT,CASTING,42lbs.	10
37	FE 263	40HP, 460 VOLT, 3PH 60HZ VARIABLE SPEED DRIVE	1
38	FE 251	VIBRATION MOUNT	4
39	T2003	HEX HEAD NUT 1/4-20	6
40	FE 472	SHIFTER BRACKET - 6200	1
41	LW 076	EMERGENCY STOP SWITCH ASSY	1
42	FE 482	SHIFTER GUIDE BRACKET	1
43	FE 256R	UPPER WEIGHT BASKET - R	1
44	FEN 031	HANDLE WELDMENT, MODEL 6200 SELF PROPELLED	1
45	FE 074-SS	WATER TANK BRACE	1
46	FE 256L	UPPER WEIGHT BASKET - L	1
47	SM 057	HANDLE GRIP	2
48	T2025	5/16-18 HEX NUT	2
49	SM 457	2" Y SECTION - DRY - R	1
50	HB 088B	CASTER	1
51	T3015	1/4" USS WROUGHT WASHER	4
52	SM 186	HANDLE SPACER COLLAR	2
53	FD 043	WATER GUIDE BRACKET	1
54	T1030	LOCK WASHER	1
55	T2122	1/4-20 X 1/2 LG HEX HEAD CAPSCREW	1
56	SM 457LH	2" Y SECTION - DRY - L	1
57	SM 182	HANDLE SPRING, COMPRESSION	1
58	FE 078A	WATER TANK ROD	1
59	SM 174	WATER TANK VALVE	1
60	T3007	1/4-20 X 1/2 LG SOCKET SET SCREW	1
61	SM 170X	LEVER, WATER VALVE FOR 7500	1
62	SM 175	VALVE STEM	1
63	T2082	COTTER PIN, 1/4 X 2 1/2	1